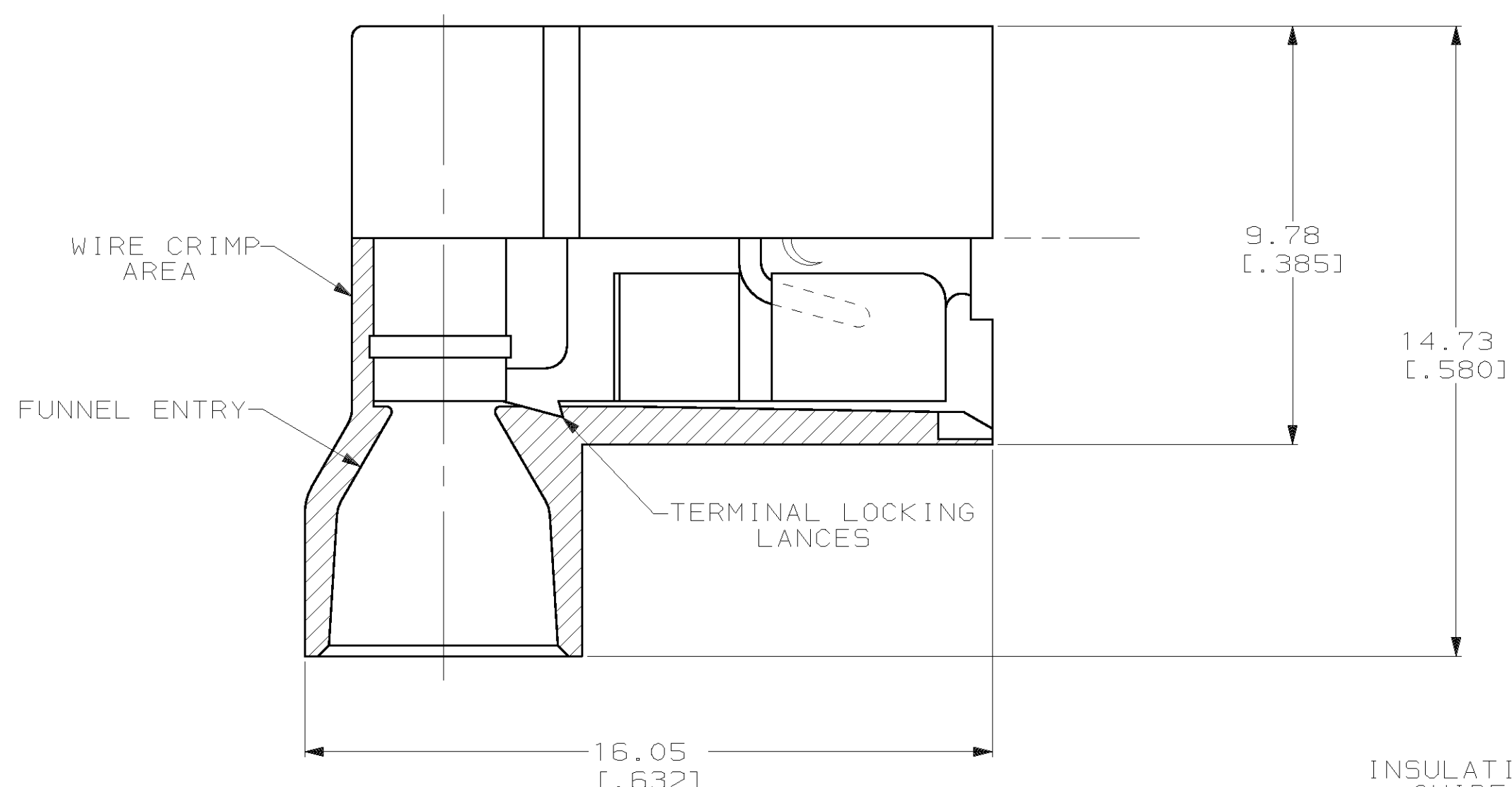
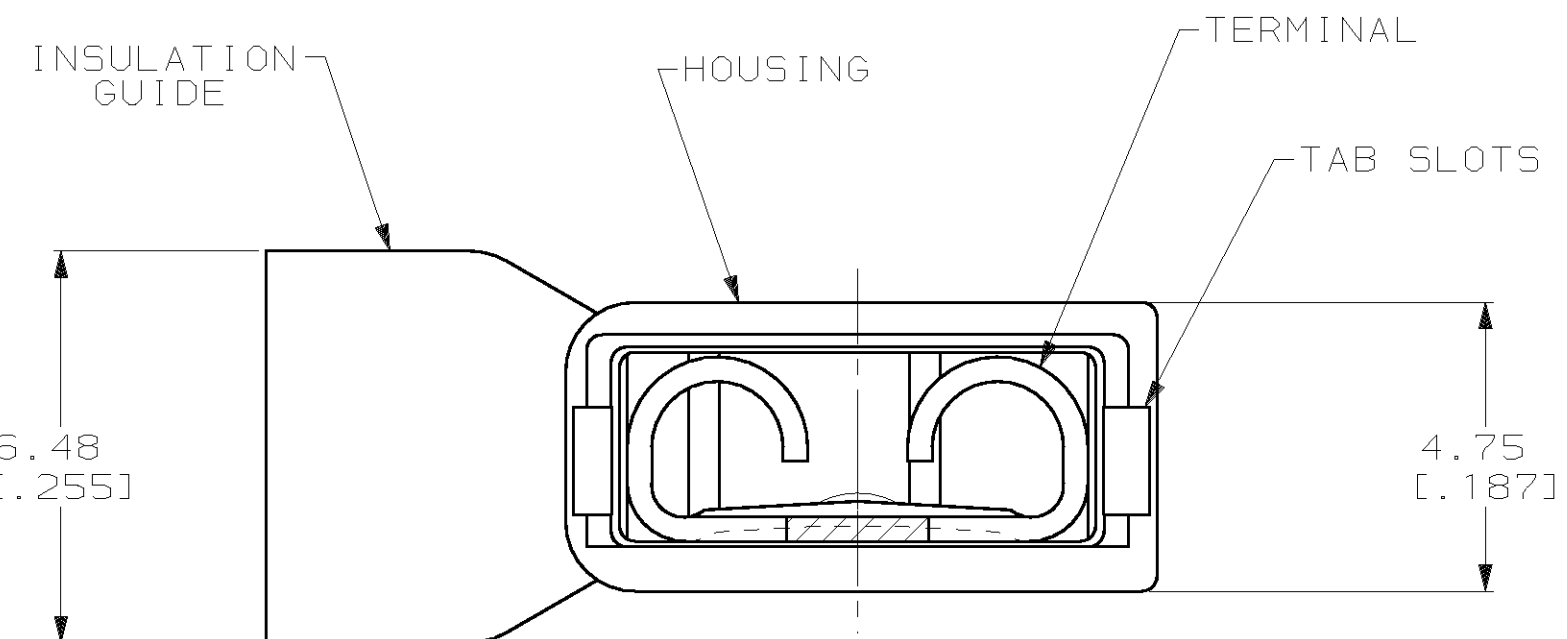
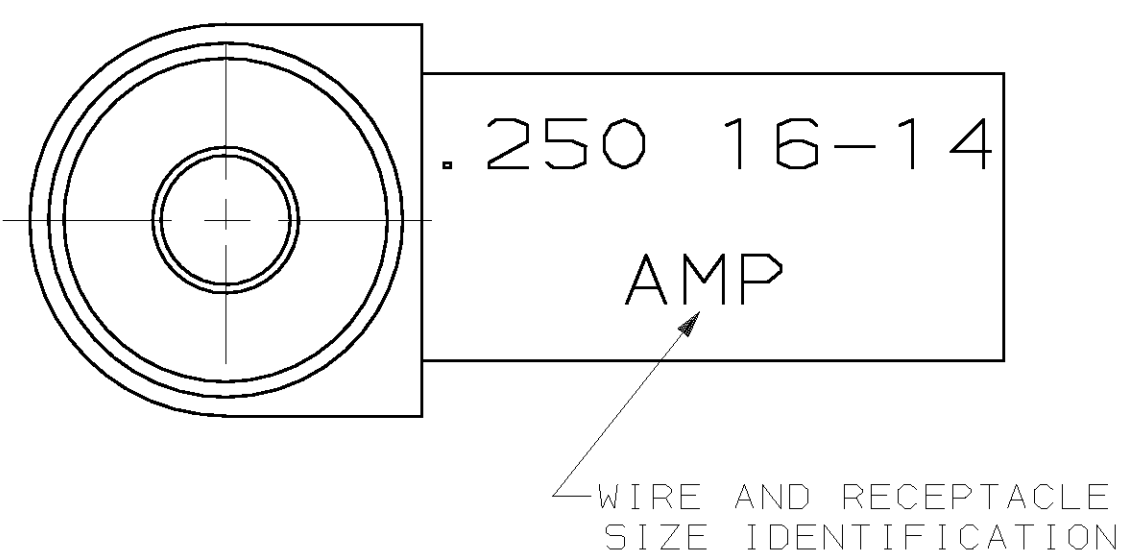


THIS DRAWING IS UNPUBLISHED. RELEASED FOR PUBLICATION  
 © COPYRIGHT 19 BY AMP INCORPORATED. ALL INTERNATIONAL RIGHTS RESERVED.

LOC		DIST		ZONE		LTR		REVISIONS		DATE	APPD
AF	50	P	F			P		REV PER 0G1A-0149-99		3JUN99	JR/JH



- 1 FITS 0.81±0.025 X 6.35 [.032±.001 X .250] TAB
- 2 WIRE SIZE: 1.3-2.0mm<sup>2</sup> [16-14 AWG], STRANDED ONLY. STRIP LENGTH 7.94 [.312]
- 3 INSULATION SIZE: 4.70 [.185] MAX DIA.
- 4 SUPPLIED AS LOOSE PIECE



HOUSING		TERMINAL		PART NO
TYPE 6/6 NYLON	BLUE TRANSLUCENT	0.41 [.016] #4H BRASS	TIN	
MATERIAL	COLOR	MATERIAL	FINISH	
DO NOT SCALE PRINT. UNLESS SPECIFIED DIMENSIONS IN mm [INCHES] TOLERANCES ON :	DR 11/13/89 P FORTNEY	AMP INCORPORATED Harrisburg, Pa. 17105		
2 PLC DEC ± -	CHK 11/13/89 JR RUTH			
3 PLC DEC ± 0.38 [.015]	APPD 11/13/89 DJ BRATINA	NAME		
ANGLES ± -	APPD 11/13/89 R KUZO	RECEPTACLE ASSEMBLY, ULTRA-FAST FLAG, 6.35 [.250] SERIES, LOOSE PIECE		
MATERIAL	PRODUCT SPEC	SIZE	CAGE CODE	DRAWING NO
SEE TABLE	108-2043	C	00779	520133
FINISH	APPLICATION SPEC	SCALE		SHEET
SEE TABLE	114-2123	10:1		1 OF 1
	WEIGHT -			

